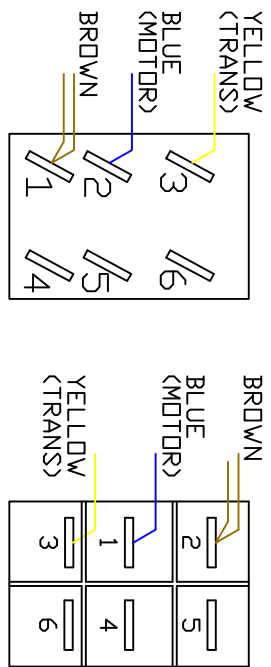
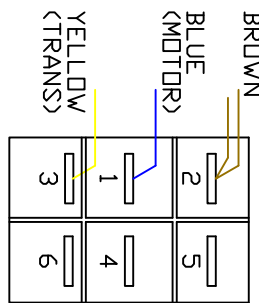


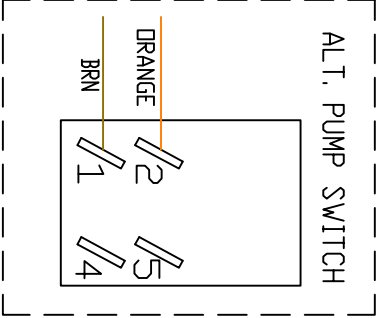
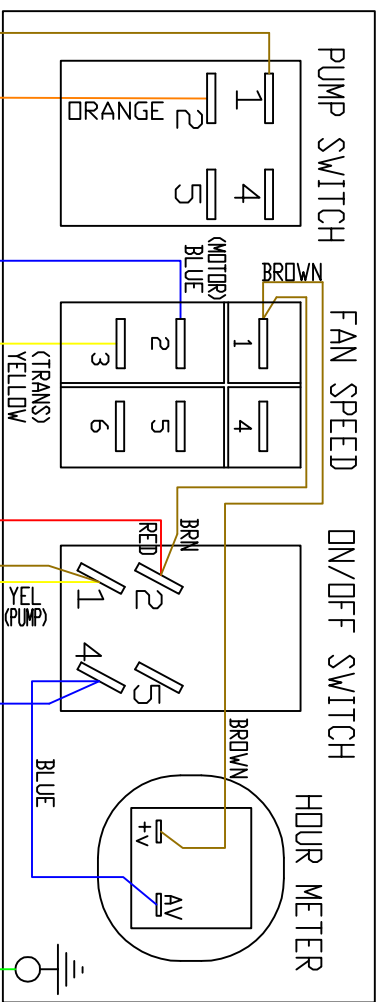
AL.T. FAN SPEED SWITCH WIRING



AL.T. FAN SPEED SWITCH 3030692 WIRING



VIEWED FROM THE WIRING SIDE CONTROL PANEL

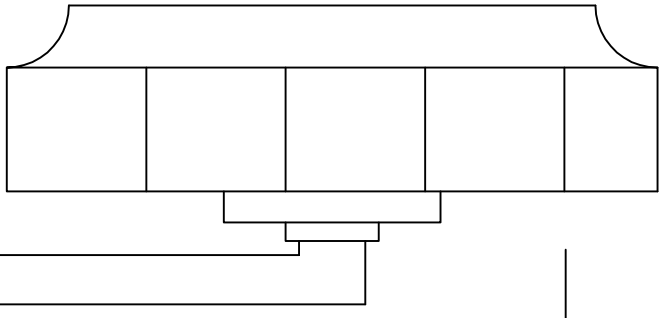


NOTES

WIRING HARNESS MUST HAVE A LOOP AT THE TOP AND BOTTOM ENTRY THROUGH THE ELECTRICAL PANEL. THIS IS TO ALLOW THE ELECTRICAL PANEL TO BE WITHDRAWN AND PLACED TO THE RIGHT HAND SIDE WITHOUT REMOVING ANY WIRES.

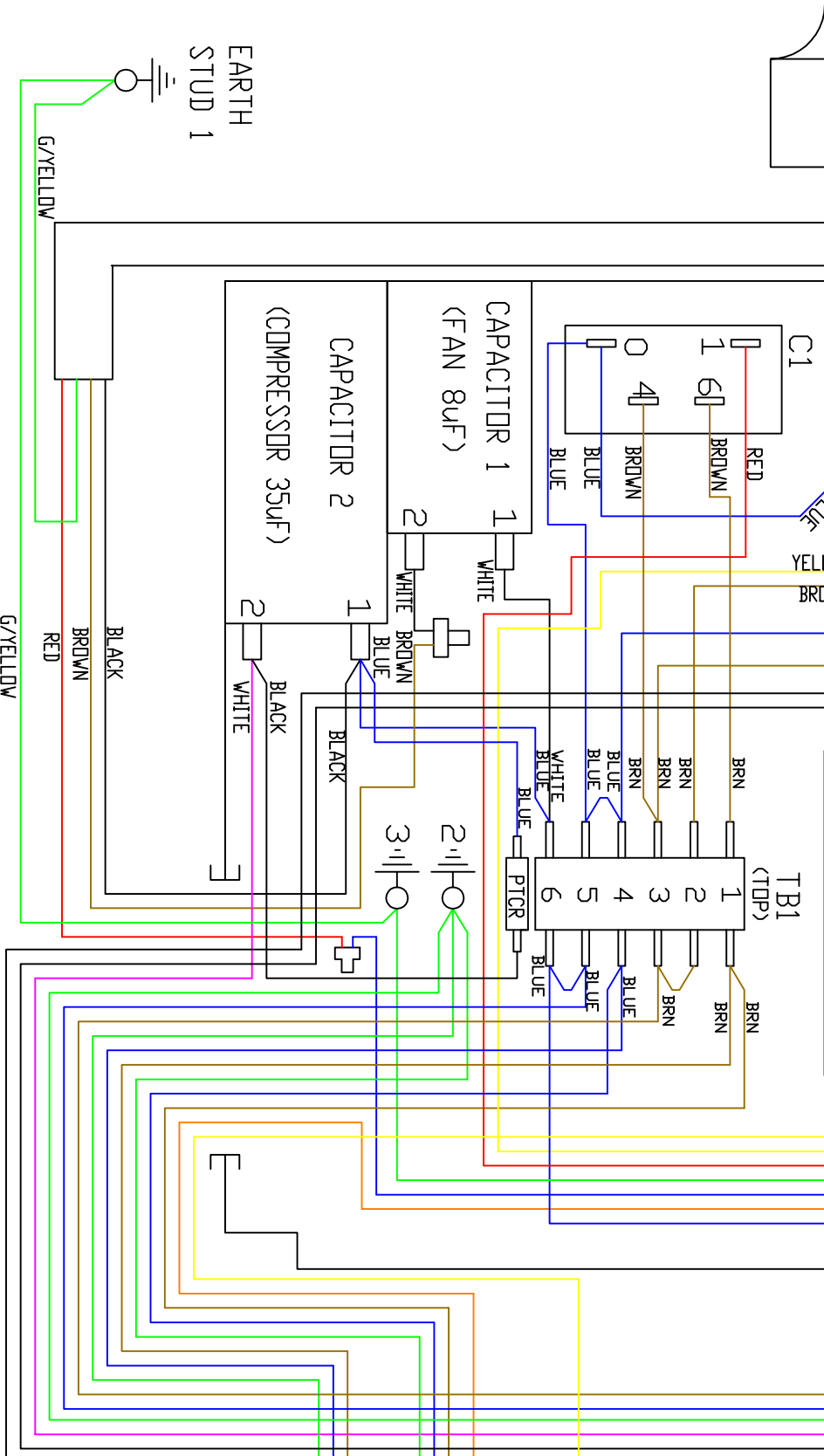
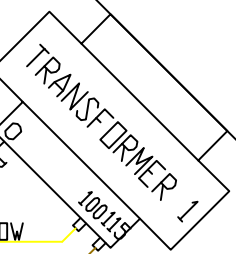
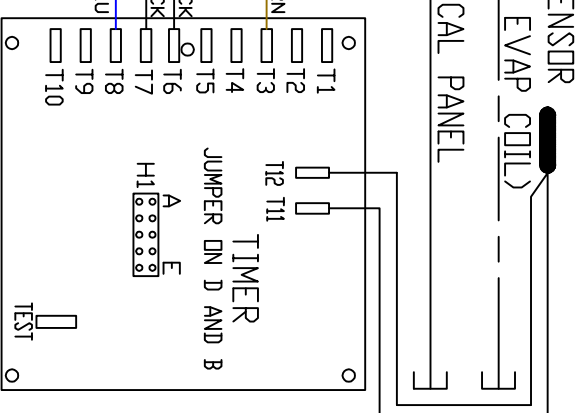
ISSUE	DATE	AMENDMENTS
12	13/06/14	MS1 LAYOUT CHANGED - WDA
13	13/03/15	CAPACITOR RATINGS ADDED - WDA
14	11/09/15	PUMP LAYOUT UPDATED - WDA
15	02/02/16	ALTERNATIVE SWITCH 3030692 ADDED - WDA
16	22/09/17	TIMER CHANGED - WDA
17	18/10/17	AL.T. PUMP SWITCH ADDED - WDA
18	10/11/17	AL.T FAN SPEED SWITCH UPDATED - WDA
19	10/05/19	AL.T SWITCHES NOW CURRENT MOVED - WDA

FAN MOTOR

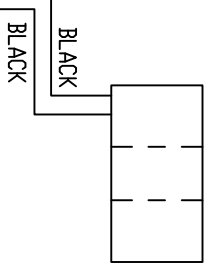


ELECTRICAL PANEL

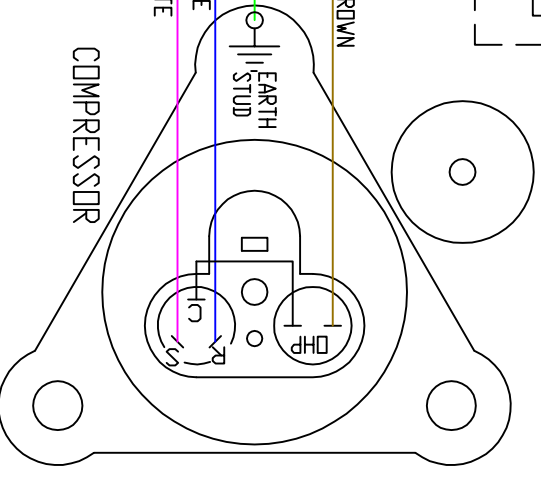
(MOUNTED TO EVAP COIL)



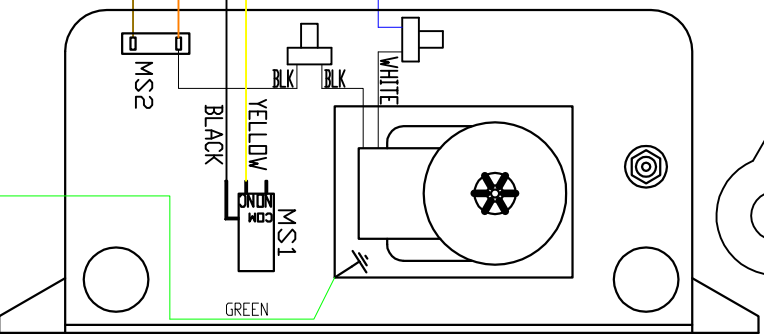
REVERSING VALVE



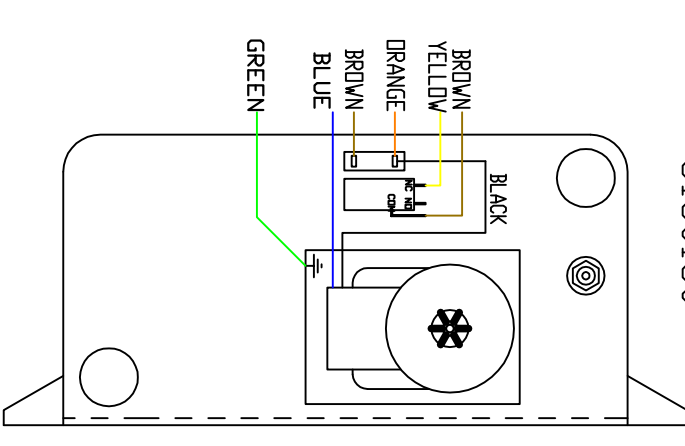
COMPRESSOR



CONDENSATE PUMP



ALTERNATIVE PUMP 3160150



NOTE
 BLUE WIRE TO - SILVER SCREW
 G/YEL WIRE TO - GREEN SCREW
 BROWN WIRE TO - BRONZE SCREW

Elbac LIMITED BISHOP AUCKLAND ENGLAND 1993

3RD ANGLE PROJECTION
 DO NOT SCALE
 IF IN DOUBT ASK

DIMENSIONS IN mm.
 TOLERANCES UNLESS OTHERWISE STATED
 0.05 ± 0.25
 ANGULAR: 0.5 DEGREE

TITLE: WIRING DIAGRAM
 MATERIAL: ---
 FINISH: ---

WIRING DIAGRAM
 DRAWN: JG LAYERICK
 CAD SCALE: 1/1
 DRG.ND: 5010266
 SHEET 1 OF 1