

1993 **EBAC** LIMITED BISHOP AUCKLAND ENGLAND

3RD ANGLE PROJECTION  
DO NOT SCALE  
IF IN DOUBT ASK

DIMENSIONS IN mm.  
TOLERANCES UNLESS OTHERWISE STATED

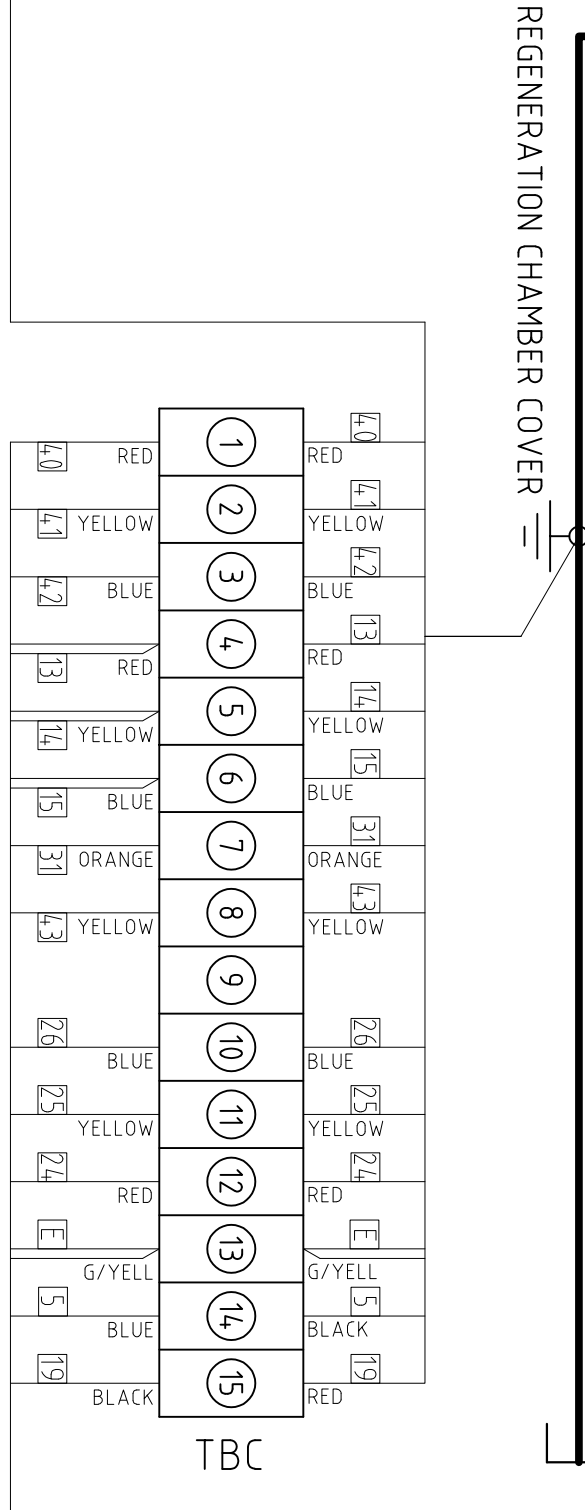
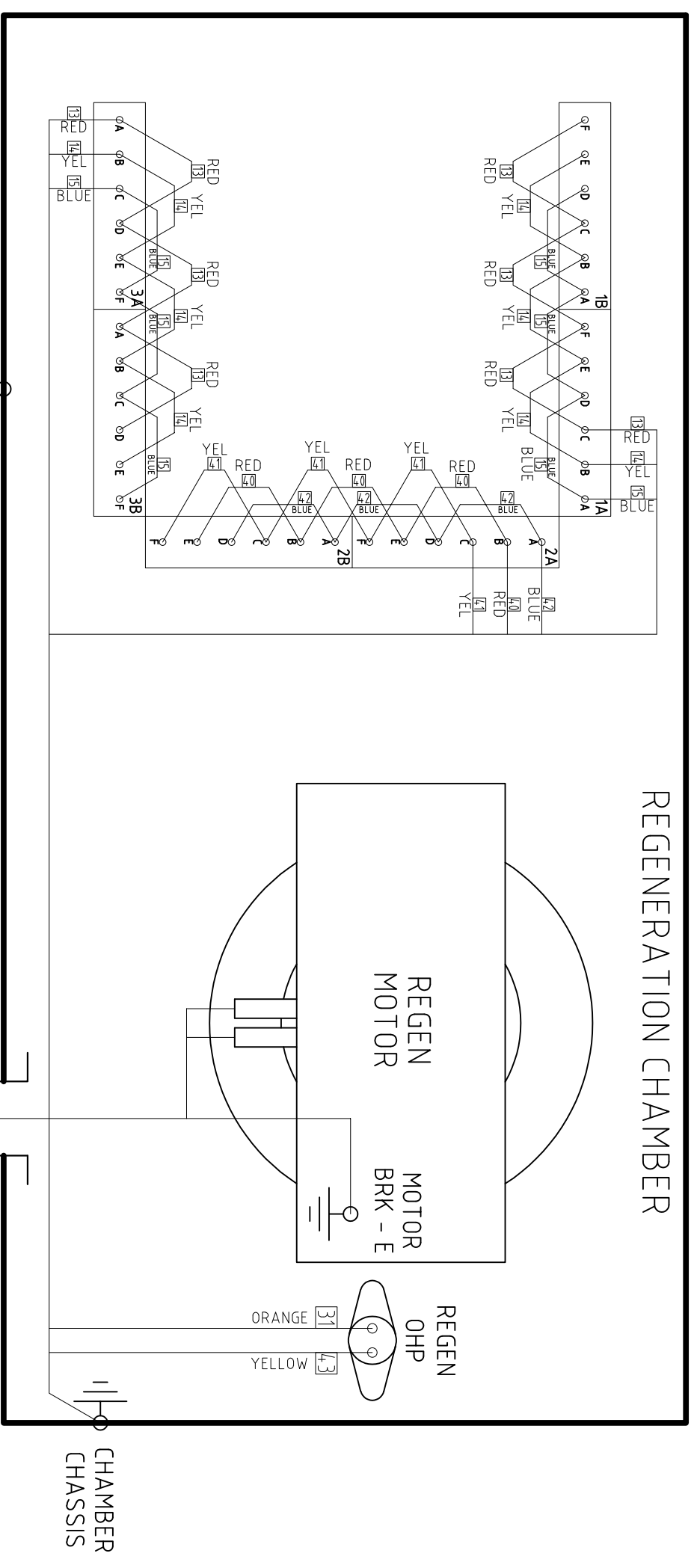
|         |              |
|---------|--------------|
| 0.0     | ± 1          |
| 0.00    | ± 0.25       |
| 0.00    | ± 0.05       |
| ANGULAR | ± 0.5 DEGREE |

SEE SHEET 2 OF 2 FOR BETTER VIEW OF HEATER CHAMBER

| ISSUE | DATE     | AMENDMENTS                         |
|-------|----------|------------------------------------|
| 11    | 01/05/15 | CONTROL BOX VIEW CHANGED - WDA     |
| 12    | 12/05/15 | CONTROL BOX VIEW CHANGED - WDA     |
| 13    | 06/11/15 | REGEN FAN T/B VIEW UPDATED - WDA   |
| 14    | 18/05/18 | DRYING LAMP WIRE QTY UPDATED - WDA |
| 15    | 13/07/20 | WIRE COLOUR / SIZE CHANGE - WDA    |

| TITLE                                | MATERIAL | FINISH | DRG.NO. | SHEET  |
|--------------------------------------|----------|--------|---------|--------|
| DD900 - WIRING DIAGRAM - 220V / 60HZ | N/A      | N/A    | 5010324 | 1 OF 2 |

| ISSUE | DATE     | AMENDMENTS                         |
|-------|----------|------------------------------------|
| 11    | 01/05/15 | CONTROL BOX VIEW CHANGED - WDA     |
| 12    | 12/05/15 | CONTROL BOX VIEW CHANGED - WDA     |
| 13    | 06/11/15 | REGEN FAN T/B VIEW UPDATED - WDA   |
| 14    | 18/05/18 | DRYING LAMP WIRE QTY UPDATED - WDA |
| 15    | 13/07/20 | WIRE COLOUR / SIZE CHANGE - WDA    |



**1993 Ebac LIMITED BISHOP AUCKLAND ENGLAND**

**TITLE**  
DD900 - WIRING DIAGRAM - 220V / 60HZ

**MATERIAL**  
N/A

**FINISH**  
N/A

**DRAWN:** W DAGLISH  
**CAD SCALE:** N/A

**DRG.NO.** 5010324  
**SHEET** 2 OF 2

**3RD ANGLE PROJECTION**  
DO NOT SCALE  
IF IN DOUBT ASK

**DIMENSIONS IN m.m.**  
TOLERANCES UNLESS OTHERWISE STATED  
0.0 ± 0.25  
0.00 ± 0.05  
ANGULAR + 0.5 DEGREE