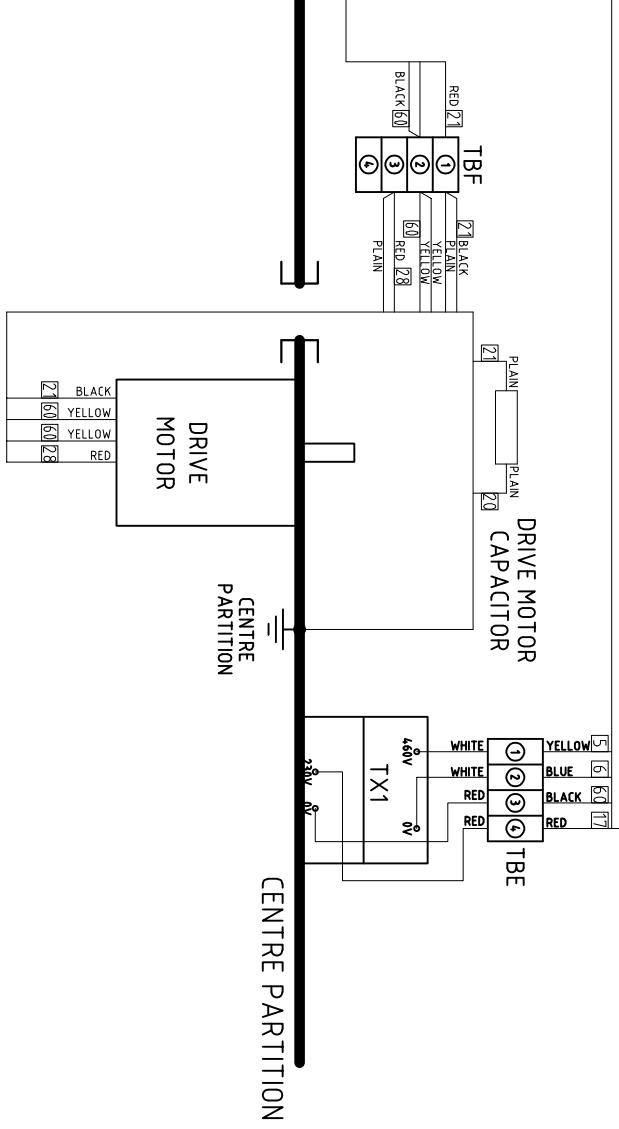
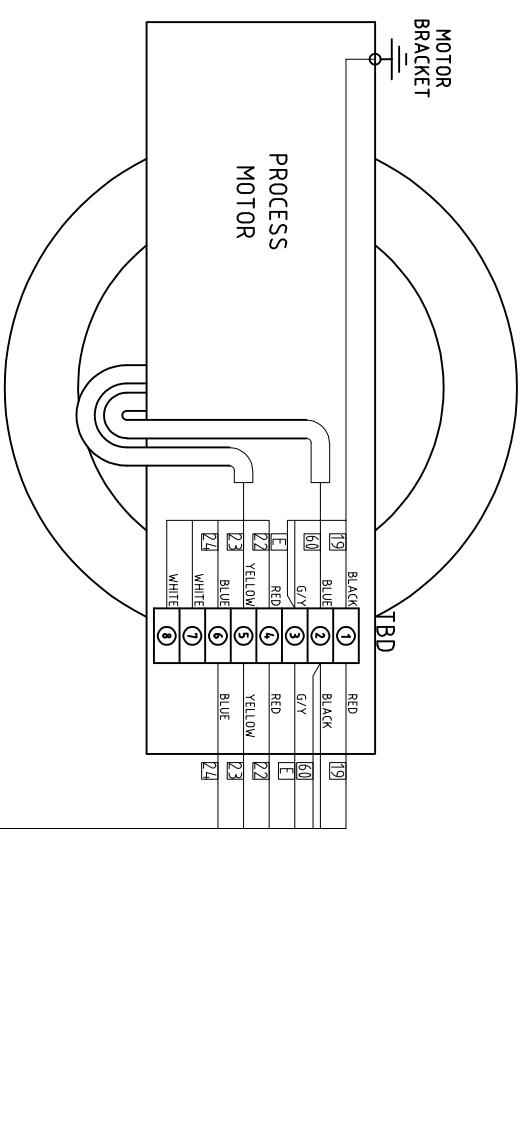


ISSUE	DATE	AMENDMENTS
11	12/05/15	CONTROL BOX VIEW CHANGED - WDA
12	06/11/15	REGEN FAN T/B VIEW UPDATED - WDA
13	18/05/18	DRYING LAMP WIRE STY UPDATED - WDA
14	20/11/18	TX1 LAYOUT UPDATED - WDA
15	13/07/20	WIRE COLOUR / SIZE UPDATE - WDA



SEE SHEET 2 OF 2 FOR BETTER VIEW OF HEATER CHAMBER

1993 **EBAC** LIMITED BISHOP AUCKLAND ENGLAND

3RD ANGLE PROJECTION
DO NOT SCALE
IF IN DOUBT ASK

DIMENSIONS IN m.m.
TOLERANCES UNLESS OTHERWISE STATED

FINISH MATERIAL

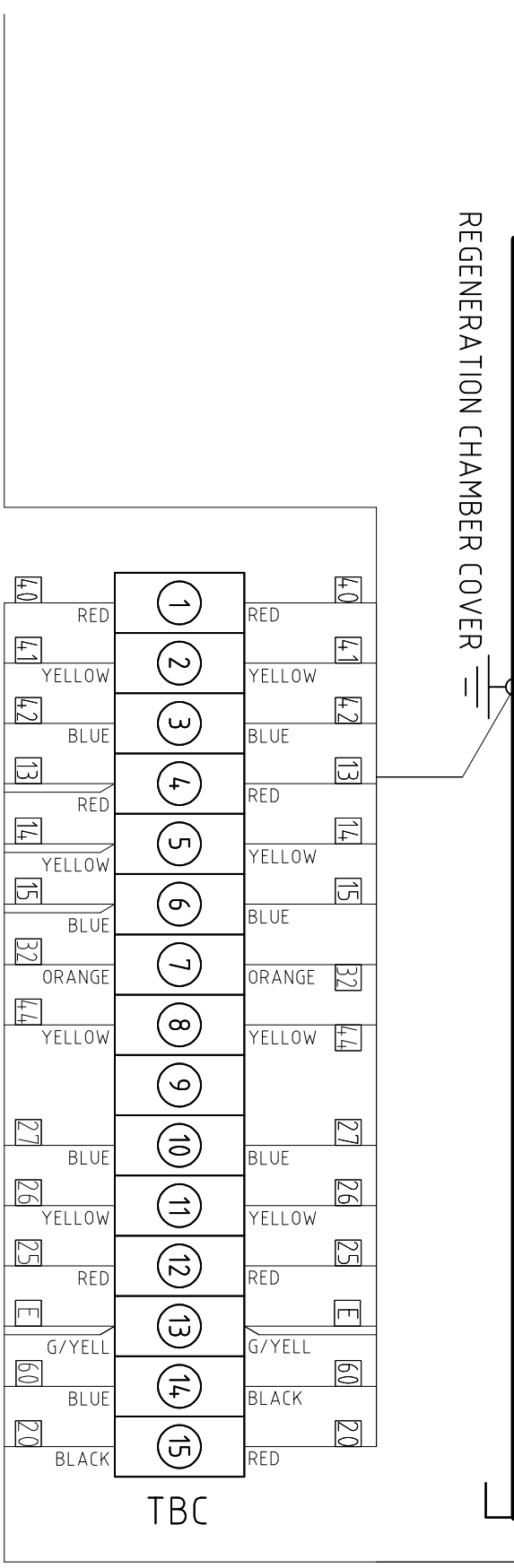
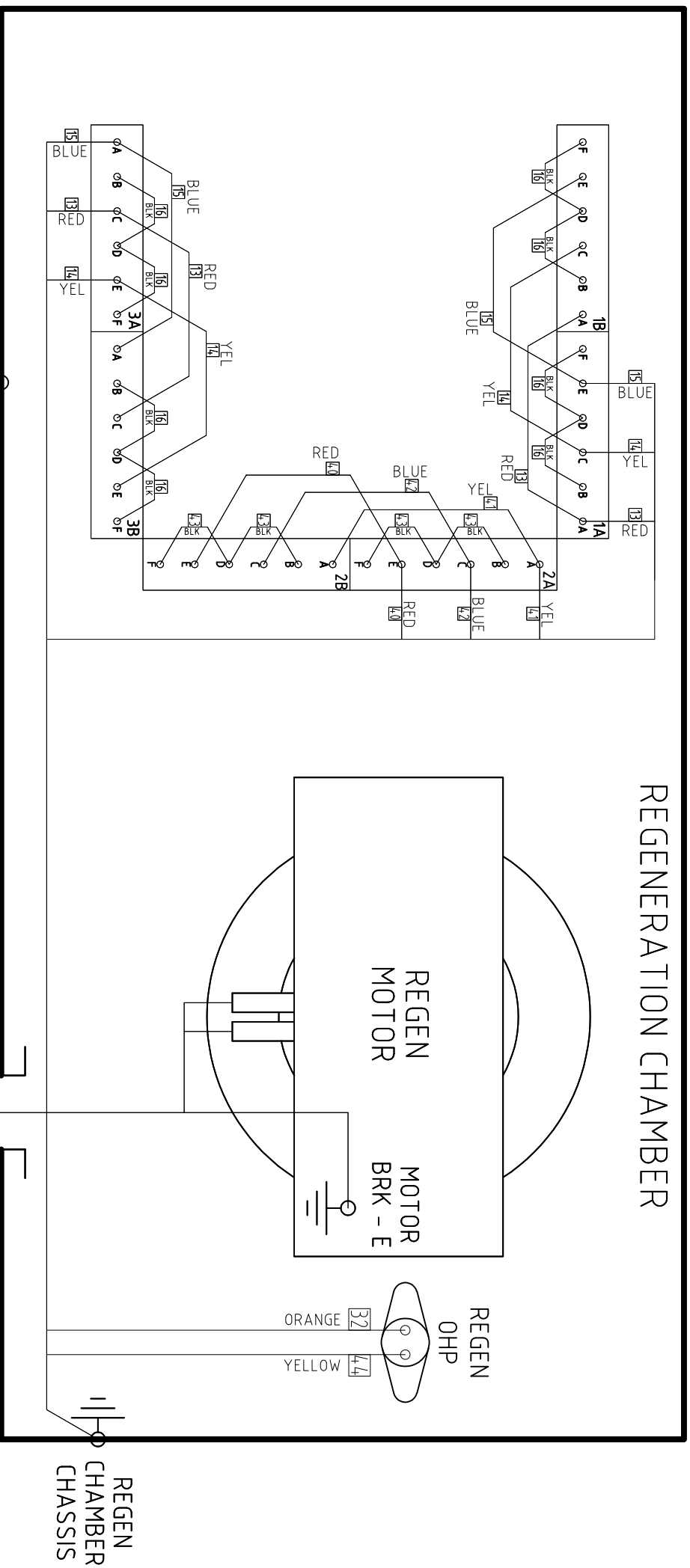
DRG.NO. 5010325

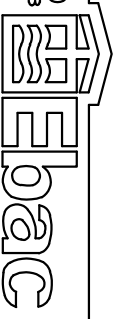
SHEET 1 OF 2

TITLE DD900 - WIRING DIAGRAM - 460V / 60HZ

DRAWN: W DAGLISH
CAD SCALE: N/A

ISSUE	DATE	AMENDMENTS
11	12/05/15	CONTROL BOX VIEW CHANGED - WDA
12	06/11/15	REGEN FAN T/B VIEW UPDATED - WDA
13	18/05/18	DRYING LAMP WIRE STY UPDATED - WDA
14	20/11/18	TX1 LAYOUT UPDATED - WDA
15	13/07/20	WIRE COLOUR / SIZE UPDATE - WDA





1993
LIMITED
BISHOP AUCKLAND
ENGLAND

TITLE
DD900 - WIRING DIAGRAM - 460V / 60HZ

3RD ANGLE PROJECTION DO NOT SCALE IF IN DOUBT ASK	DIMENSIONS IN m.m. TOLERANCES UNLESS OTHERWISE STATED	MATERIAL N/A
0.0 0.00 ANGULAR + 0.5 DEGREE	+ 1 ± 0.25 ± 0.05	FINISH N/A
DRAWN : W DAGLISH		DRG.NO. 5010325
CAD SCALE : N/A		SHEET 2 OF 2