

ISSUE	DATE	AMENDMENTS
12	06/11/15	REGEN FAN T/B VIEW UPDATED - WDA
13	09/01/17	PROCESS FAN MOTOR COLOURS ADDED - WDA
14	18/05/18	DRYING LAMP WIRE QTY UPDATED - WDA
15	13/07/20	WIRE COLOUR / SIZE UPDATE - WDA

SEE SHEET 2 OF 2 FOR BETTER VIEW OF HEATER CHAMBER

1993 **EBAC** LIMITED BISHOP AUCKLAND ENGLAND

3RD ANGLE PROJECTION

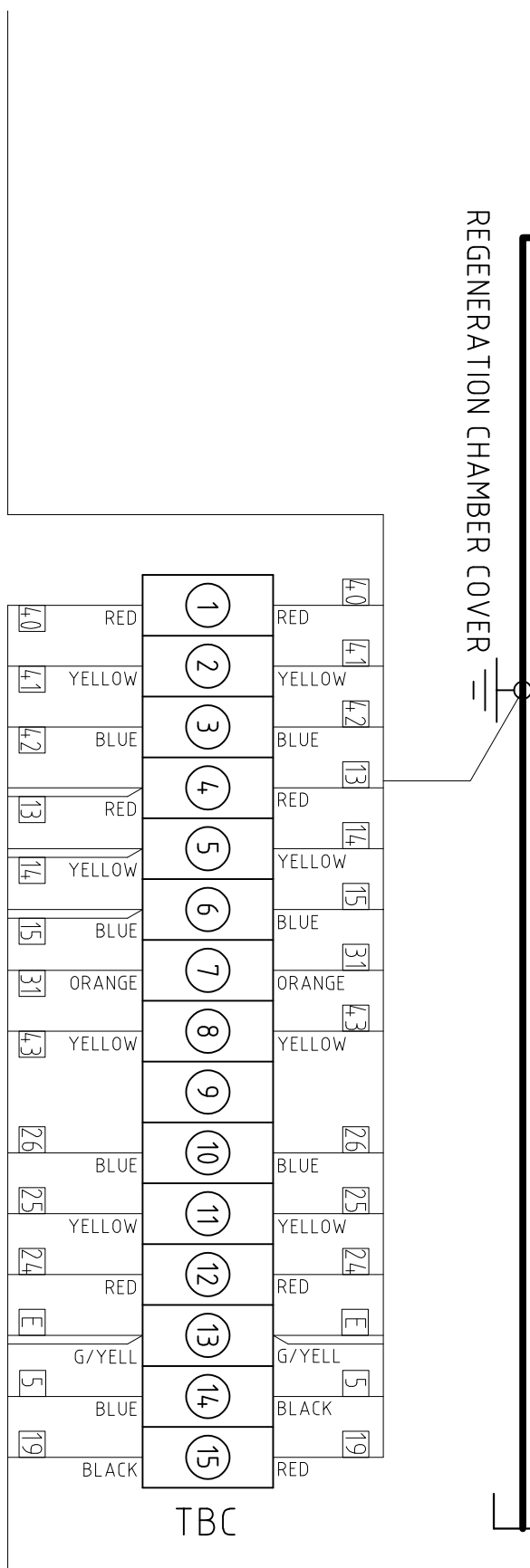
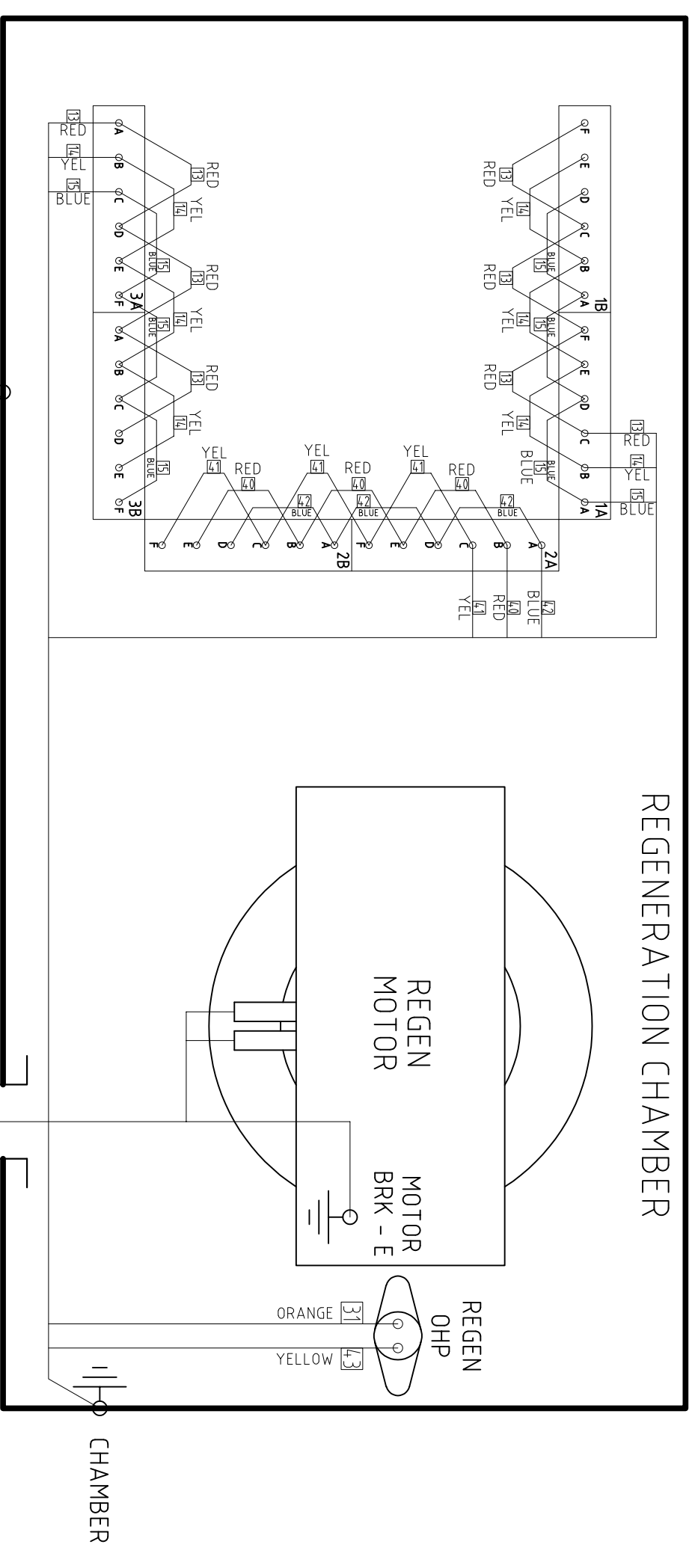
DO NOT SCALE IF IN DOUBT ASK

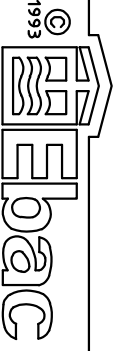
DIMENSIONS IN m.m. TOLERANCES UNLESS OTHERWISE STATED

0.0 ± 0.25
0.00 ± 0.05
ANGULAR ± 0.5 DEGREE

TITLE	MATERIAL	FINISH	DRG.NO.	SHEET
DD1200 - WIRING DIAGRAM - 220V / 60HZ	N/A	N/A	5010330	1 OF 2
			CAD SCALE: N/A	
			DRAWN: W DAGLISH	


ISSUE	DATE	AMENDMENTS
12	06/11/15	REGEN FAN T/B VIEW UPDATED - WDA
13	09/01/17	PROCESS FAN MOTOR COLOURS ADDED - WDA
14	18/05/18	DRYING LAMP WIRE QTY UPDATED - WDA
15	13/07/20	WIRE COLOUR / SIZE UPDATE - WDA





1993
Ebac
LIMITED
BISHOP AUCKLAND
ENGLAND

TITLE
DD1200 - WIRING DIAGRAM - 220V / 60HZ

3RD ANGLE PROJECTION DO NOT SCALE IF IN DOUBT ASK	DIMENSIONS IN m.m. TOLERANCES UNLESS OTHERWISE STATED
	<p>± 1 ± 0.25 ± 0.05 ANGULAR ± 0.5 DEGREE</p>
MATERIAL N/A	FINISH N/A
DRAWN : W DAGLISH	DRG.NO. 5010330
CAD SCALE : N/A	SHEET 2 OF 2