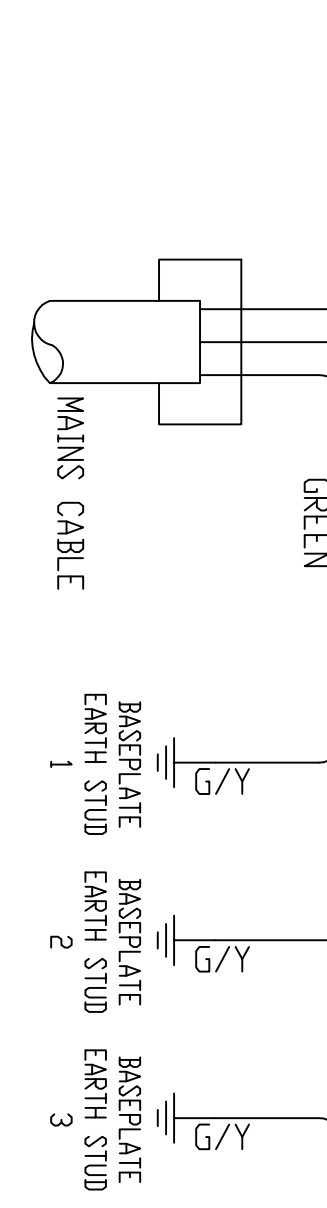
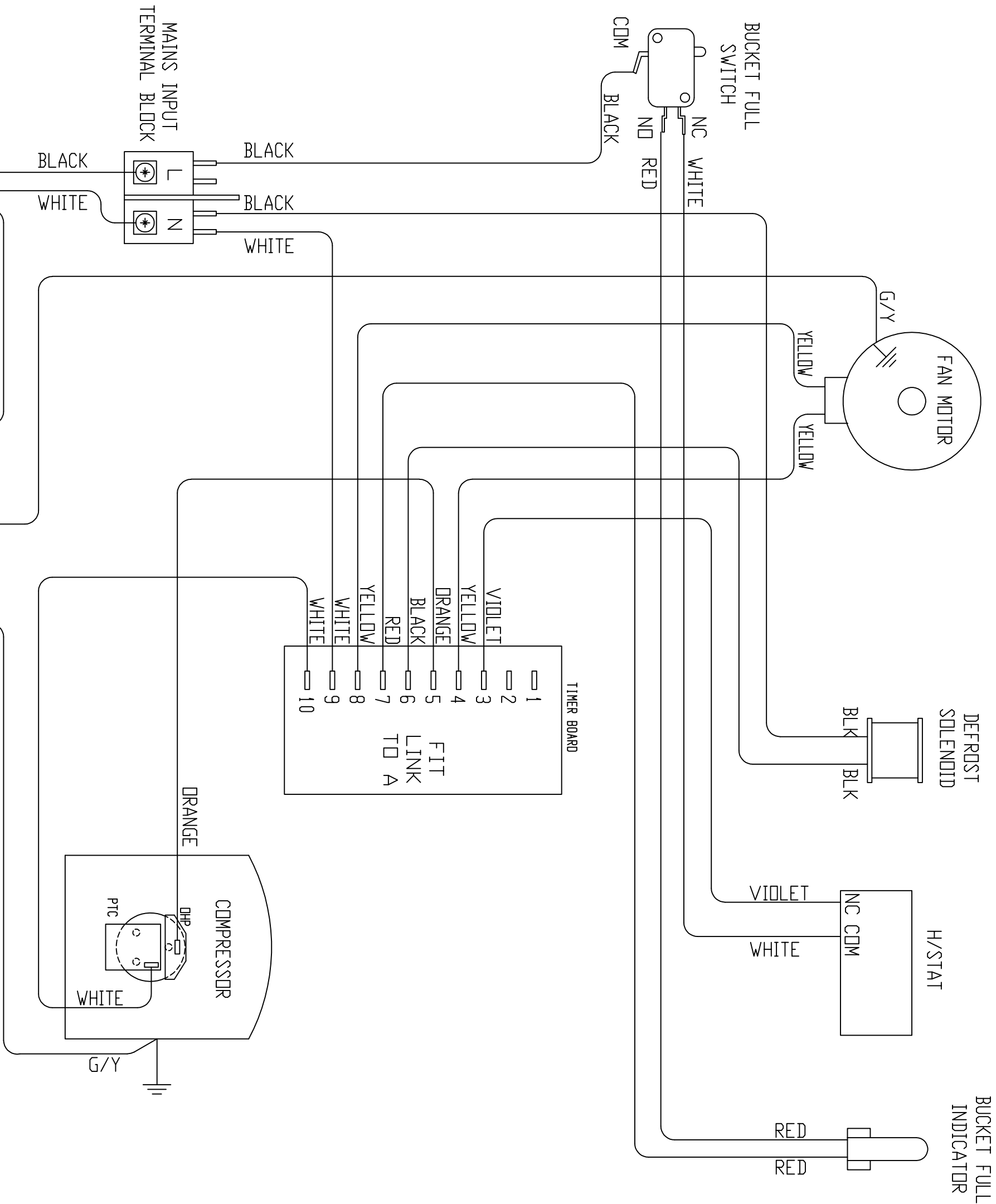
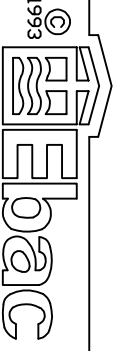


| ISSUE | DATE | AMENDMENTS |
|-------|----------|--------------------------|
| 1 | 22/01/20 | ORIGINAL |
| 2 | 14/02/20 | PILOT BUILD UPDATE - WDA |
| | | |
| | | |




EBAC
 1993
 EBAC LIMITED
 BISHOP AUCKLAND
 ENGLAND

DIMENSIONS IN mm.
 TOLERANCES UNLESS OTHERWISE STATED
 0 ± 1
 0.0 ± 0.25
 0.00 ± 0.05
 ANGULAR ± 0.5 DEGREE

3RD ANGLE PROJECTION
 DD NOT SCALE
 IF IN DOUBT ASK

| | |
|-------------|---|
| TITLE | CD355 - 110V / 60HZ - BUCKET WIRING DIAGRAM |
| MATERIAL | |
| FINISH | |
| DRG.ND. | 5010458 |
| CAD SCALE : | |
| DRAWN : | W DAGLISH |
| SHEET | 1 OF 1 |