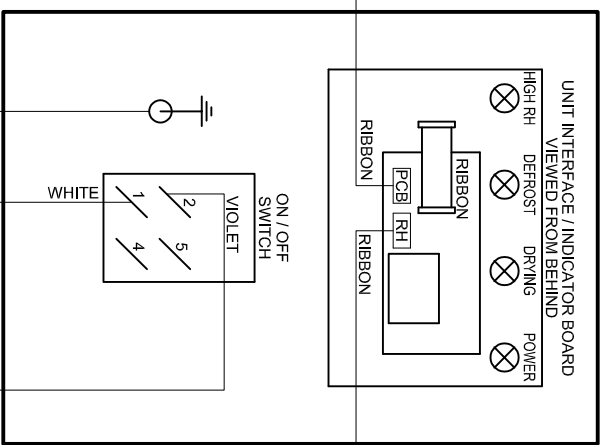
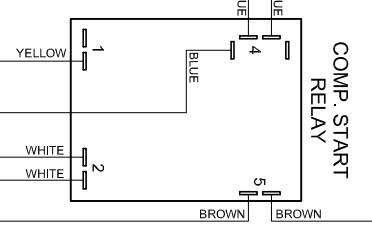
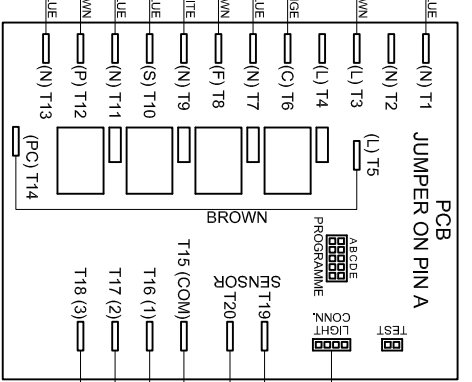
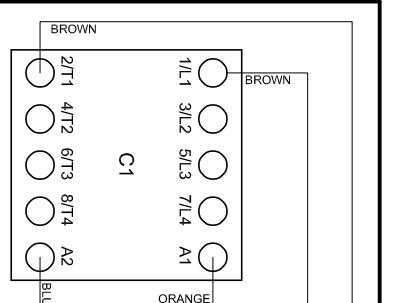


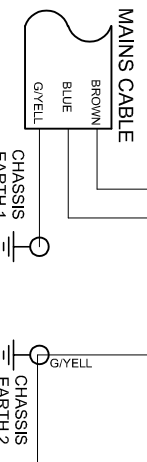
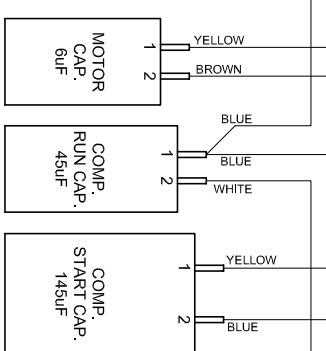
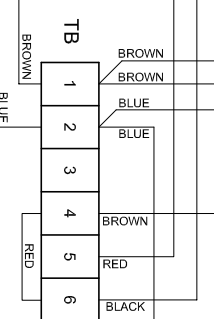
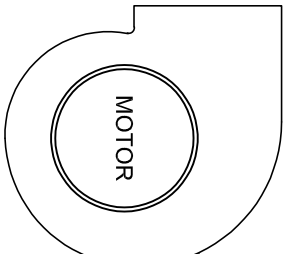
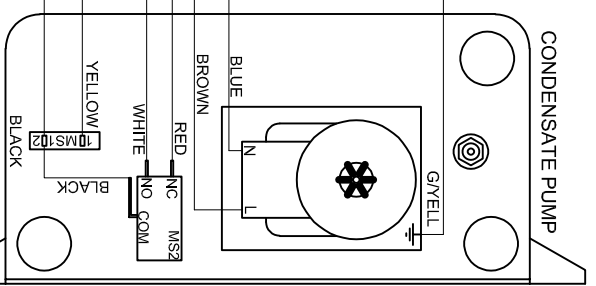
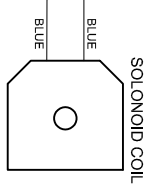
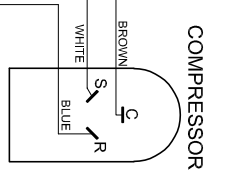
CONTROL PANEL



RH SENSOR



REFRIGERATION EARTH



ISSUE	DATE	AMENDMENTS
1	21/04/22	ORIGINAL
2	24/05/22	UK PROTOTYPE CHANGES INCORPORATED - WDA
3	29/03/23	COMP EARTH CHANGED TO REFRIG EARTH - WDA
4	11/04/23	ELECTRICAL BOX LAYOUT CHANGED - WDA

**BISHOP AUCKLAND**  
 Co. DURHAM  
 ENGLAND

**CD200 - 220V / 60Hz - US DIGITAL**

DIMENSIONS IN m.m.  
 TOLERANCES UNLESS OTHERWISE STATED

3RD ANGLE PROJECTION	DO NOT SCALE	IF IN DOUBT ASK
0.1	0.05	0.025
0.05	0.025	0.0125
ANGULAR	0.5 DEGREE	

MATERIAL	N/A	FINISH	N/A
DRAWN: W DAGLISH		CAD SCALE: N/A	
DRG. NO. 5010540		SHEET 1 OF 1	