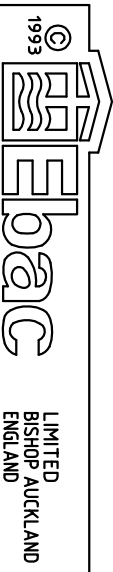
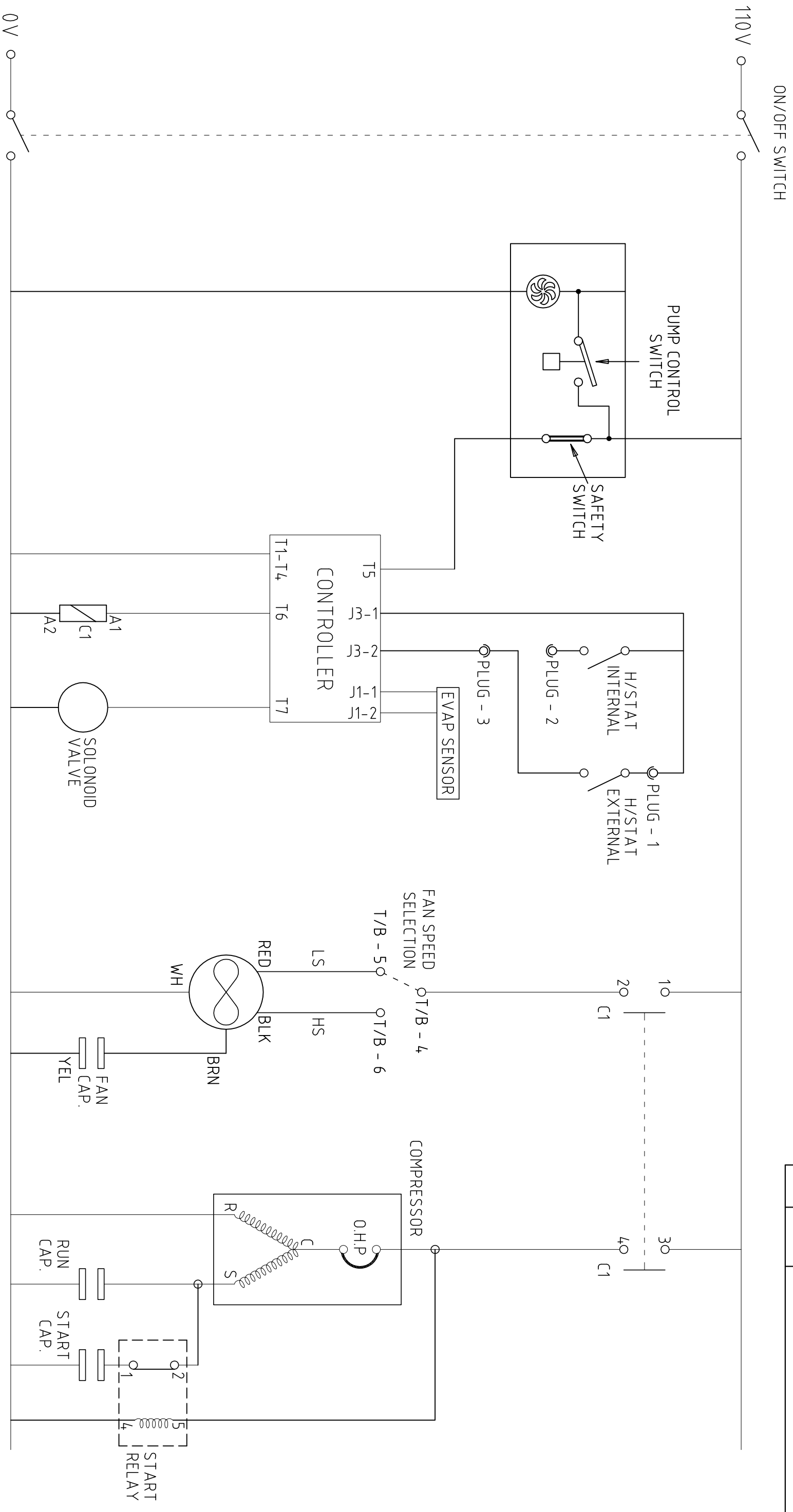


ISSUE	DATE	AMENDMENTS
1	20/8/08	ORIGINAL
2	22/02/11	DOCUMENT NO. AND TITLE CORRECTED - WDA
3	31/08/11	START CAP AND RELAY ADDED - WDA
4	28/06/13	FAN MOTOR WIRING CORRECTED - WDA



TITLE  
CD200 WIRING SCHEMATIC

3RD ANGLE PROJECTION  
DO NOT SCALE  
IF IN DOUBT ASK

DIMENSIONS IN m.m.  
TOLERANCES UNLESS OTHERWISE STATED

0.0 ± 0.25  
0.00 ± 0.05  
ANGULAR ± 0.5 DEGREE

MATERIAL N/A

FINISH N/A

DRAWN : W DAGLISH

CAD SCALE : N/A

DRG.NO 5020112

SHEET 1 OF 1