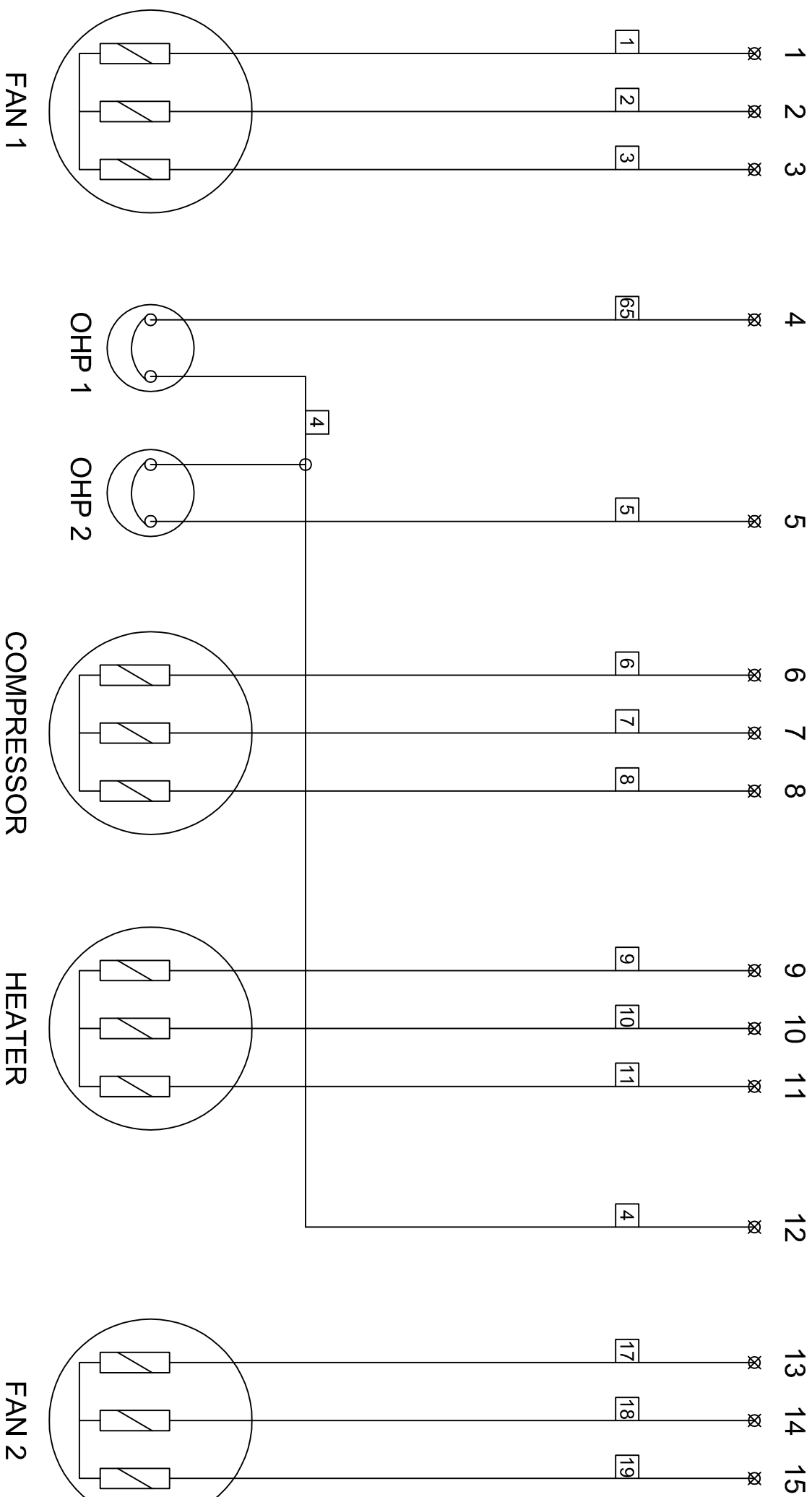
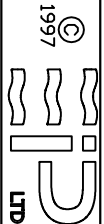


ISSUE	DATE	AMENDMENTS
1	21/10/15	ORIGINAL





 1997

TITLE
WIRING SCHEMATIC - MF4

3RD ANGLE PROJECTION
 DO NOT SCALE
 IF IN DOUBT ASK

MATERIAL
 N/A

FINISH
 N/A

DIMENSIONS IN m.m.
 TOLERANCES UNLESS
 OTHERWISE STATED
 0.0 ± 1
 0.00 ± 0.25
 0.00 ± 0.05
 ANGULAR ± 0.5 DEGREE

DRAWN: **W DAGLISH**
 CAD SCALE: N/A

DRG.NO.
5020130

SHEET
 1 OF 1