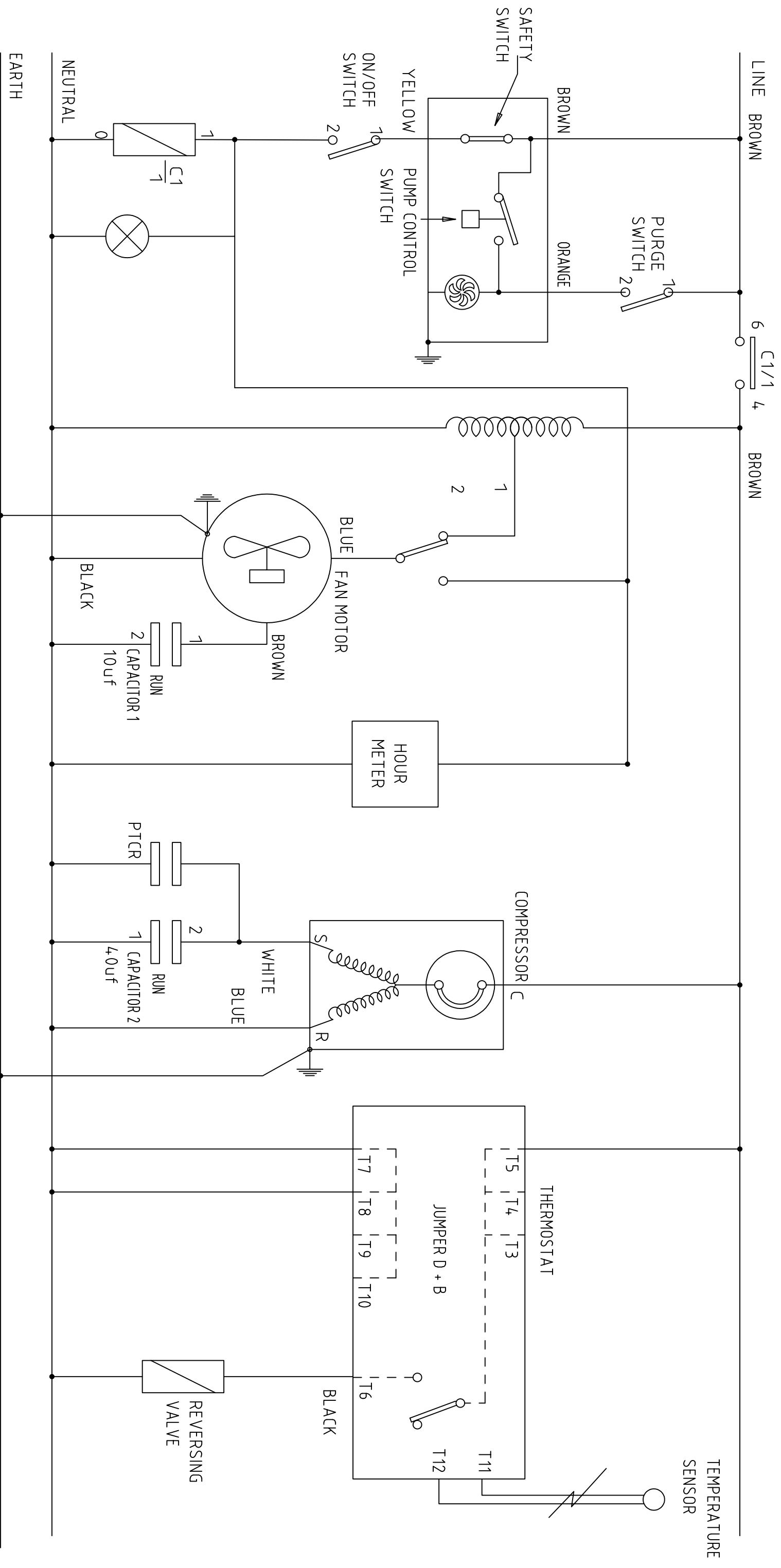
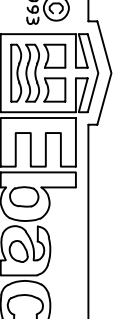


ISSUE	DATE	AMENDMENTS
1	12/05/98	ORIGINAL
2	10/08/98	CHANGED AS MARKED UP - MTD
3	16/10/98	PTCR ADDED - WDA
4	21/09/17	RE-DRAWN / TIMER CHANGED - WDA





1993
LIMITED
BISHOP AUCKLAND
ENGLAND

TITLE WIRING SCHEMATIC

MATERIAL ORION - USA 115V 60Hz

FINISH

3RD ANGLE PROJECTION
DO NOT SCALE
IF IN DOUBT ASK

DIMENSIONS IN m.m.
TOLERANCES UNLESS
OTHERWISE STATED

± 1
0.25
0.05
ANGULAR 0.5 DEGREE

DRAWN: W DAGLISH

CAD SCALE: N/A

DRG.NO. 5020239

SHEET 1 OF 1