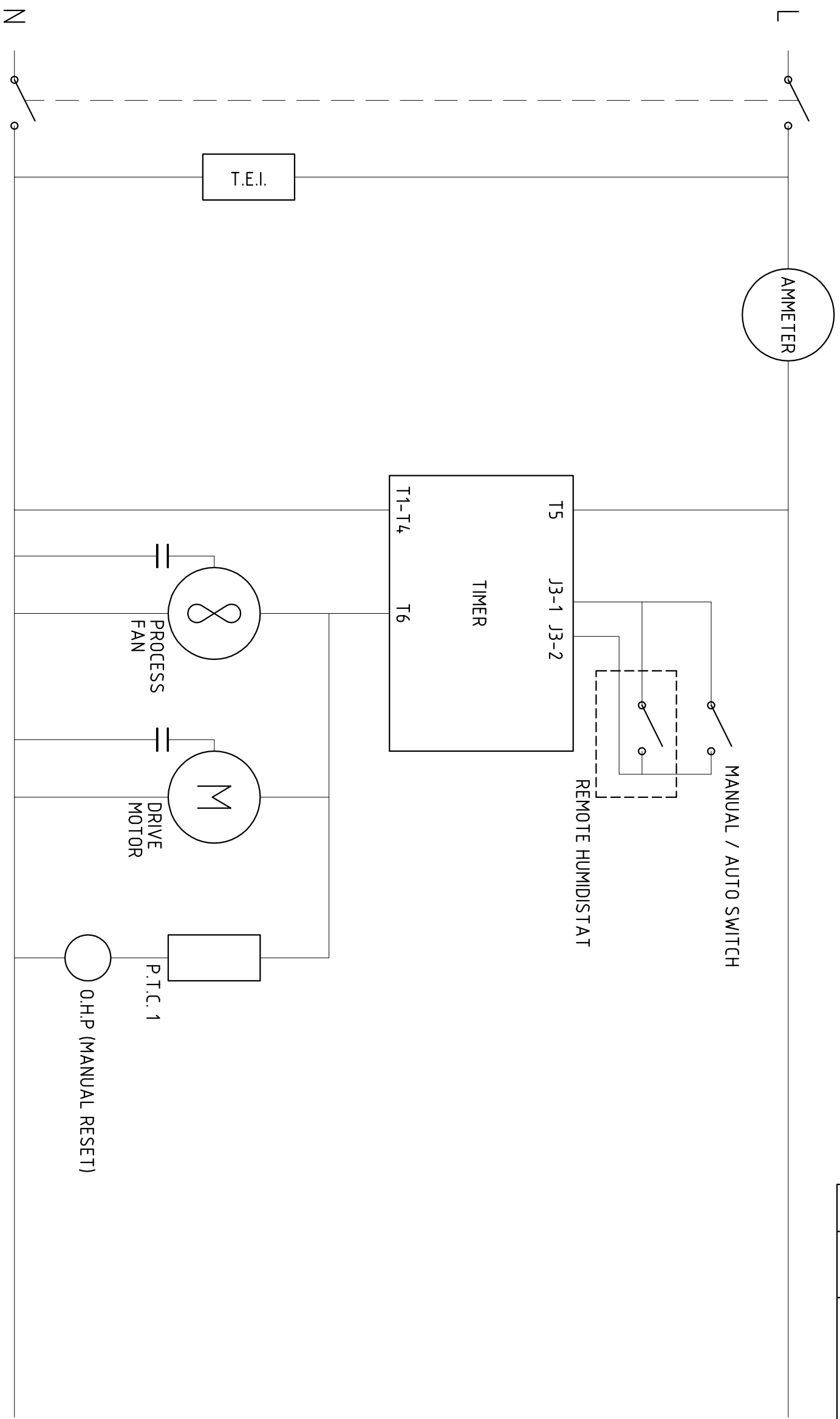
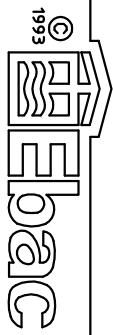


ISSUE	DATE	AMENDMENTS
1	25/11/09	ORIGINAL



 1993 LIMITED BISHOP AUCKLAND ENGLAND		TITLE 0.9KW DESICCANT - US SCHEMATIC	
MATERIAL N/A		DRAWN: W DAGLISH CAD SCALE: N/A	
FINISH N/A		DRG.NO. 5020305	
3RD ANGLE PROJECTION DO NOT SCALE IF IN DOUBT ASK		DIMENSIONS IN m.m. TOLERANCES UNLESS OTHERWISE STATED 0.0 ± 1 0.0 ± 0.25 0.00 ± 0.05 ANGULAR ± 0.5 DEGREE	
SHEET 1 OF 1		SHEET 1 OF 1	