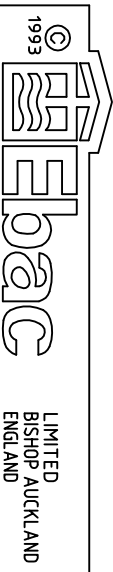
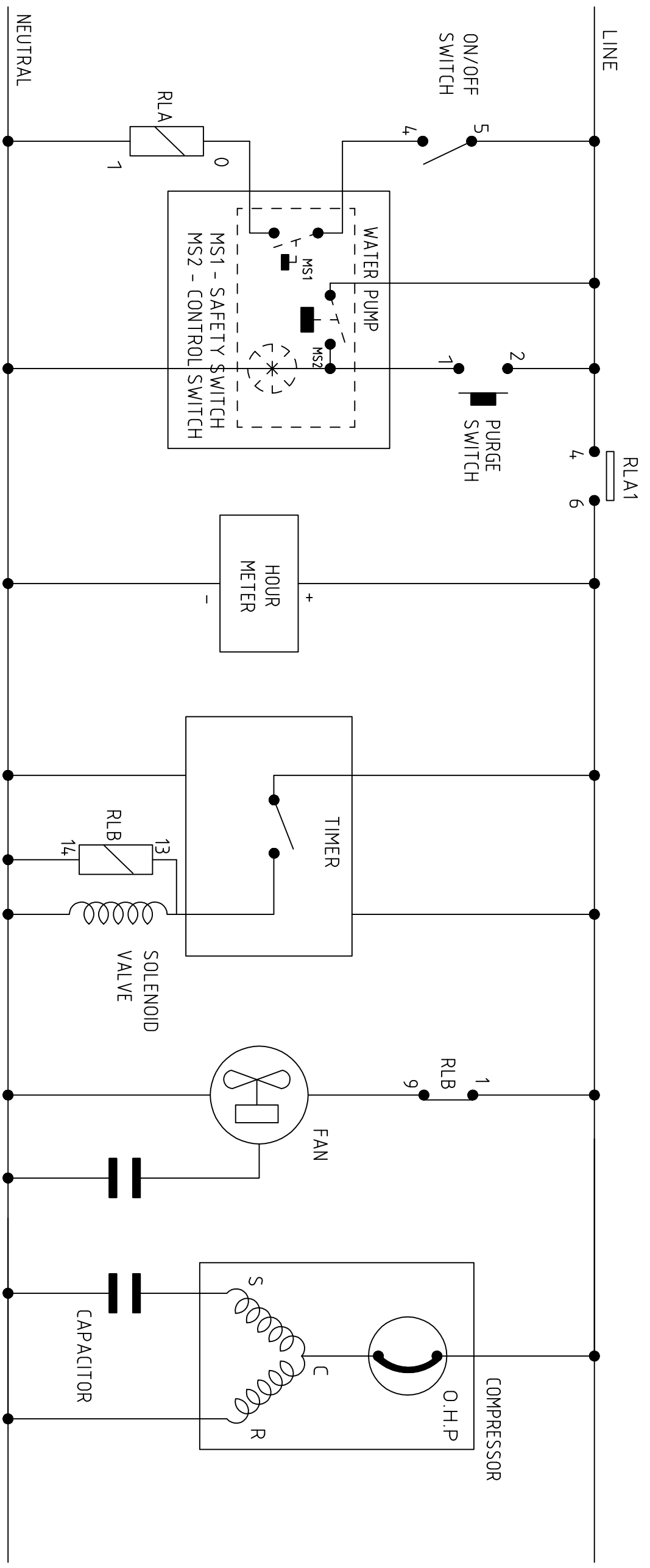


ISSUE	DATE	AMENDMENTS
1	14/05/13	ORIGINAL



TITLE
RM85 - WIRING SCHEMATIC - US

3RD ANGLE PROJECTION DO NOT SCALE IF IN DOUBT ASK	DIMENSIONS IN m.m. TOLERANCES UNLESS OTHERWISE STATED 0.0 ± 0.25 0.00 ± 0.05 ANGULAR ± 0.5 DEGREE	MATERIAL ----- FINISH -----	DRAWN : W DAGLISH CAD SCALE : N/A	DRG.NO. 5020365	SHEET 1 OF 1
---	---	--------------------------------------	--------------------------------------	--------------------	-----------------