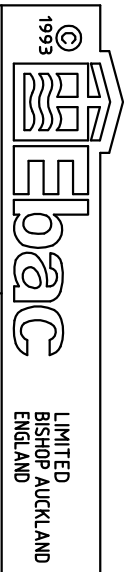
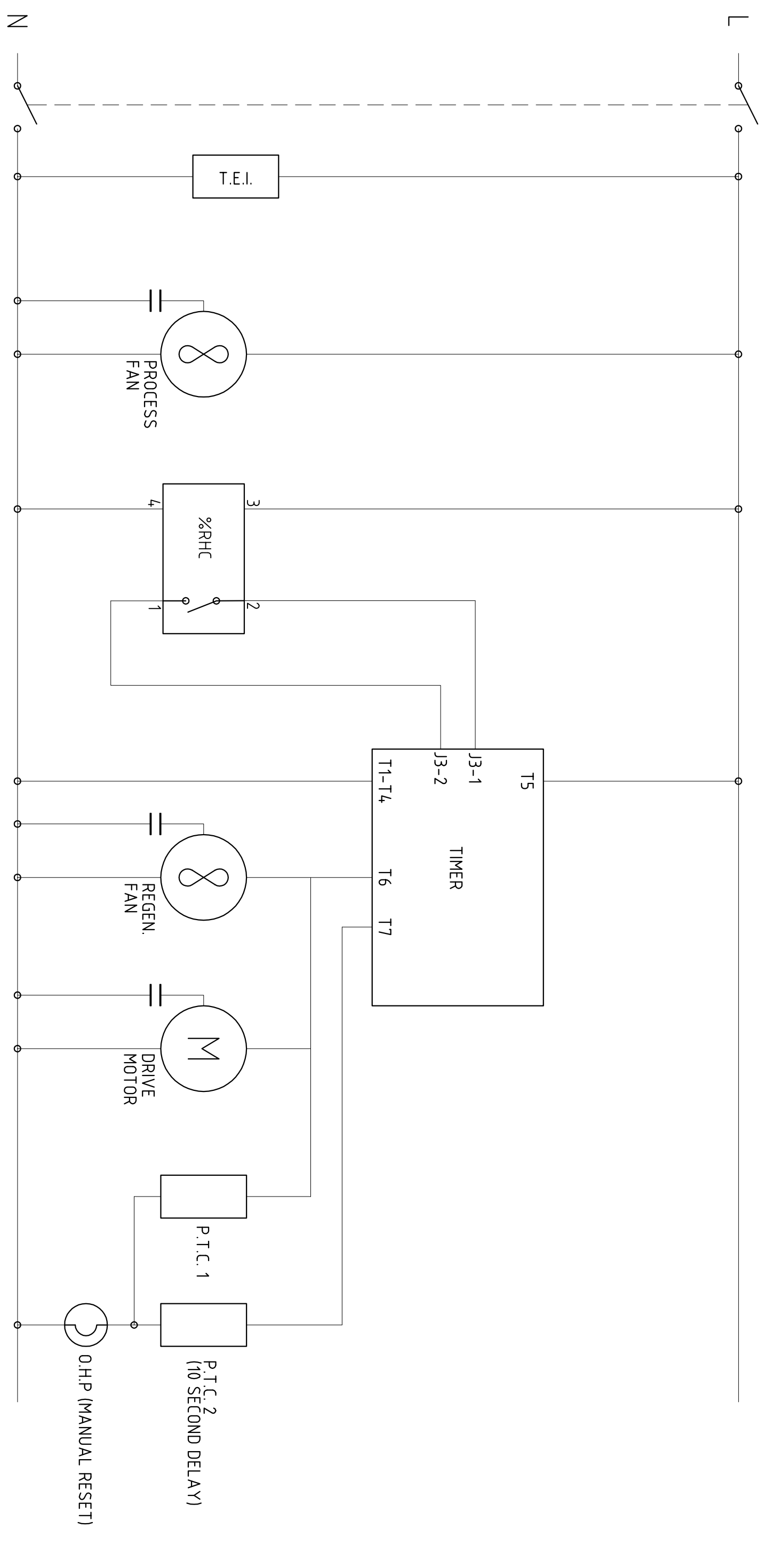


ISSUE	DATE	AMENDMENTS
1	16/10/15	ORIGINAL



TITLE
DD400P (US) - SCHEMATIC

3RD ANGLE PROJECTION
DO NOT SCALE
IF IN DOUBT ASK

DIMENSIONS IN m.m.
TOLERANCES UNLESS OTHERWISE STATED
0.0
± 0.25
ANGULAR ± 0.5 DEGREE

MATERIAL
N/A

FINISH
N/A

DRAWN : W DAGLISH
CAD SCALE : N/A

DRG.NO.
5020391

SHEET
1 OF 1