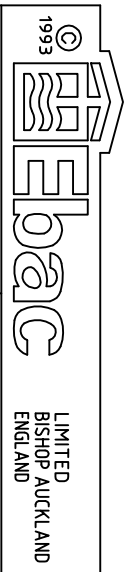
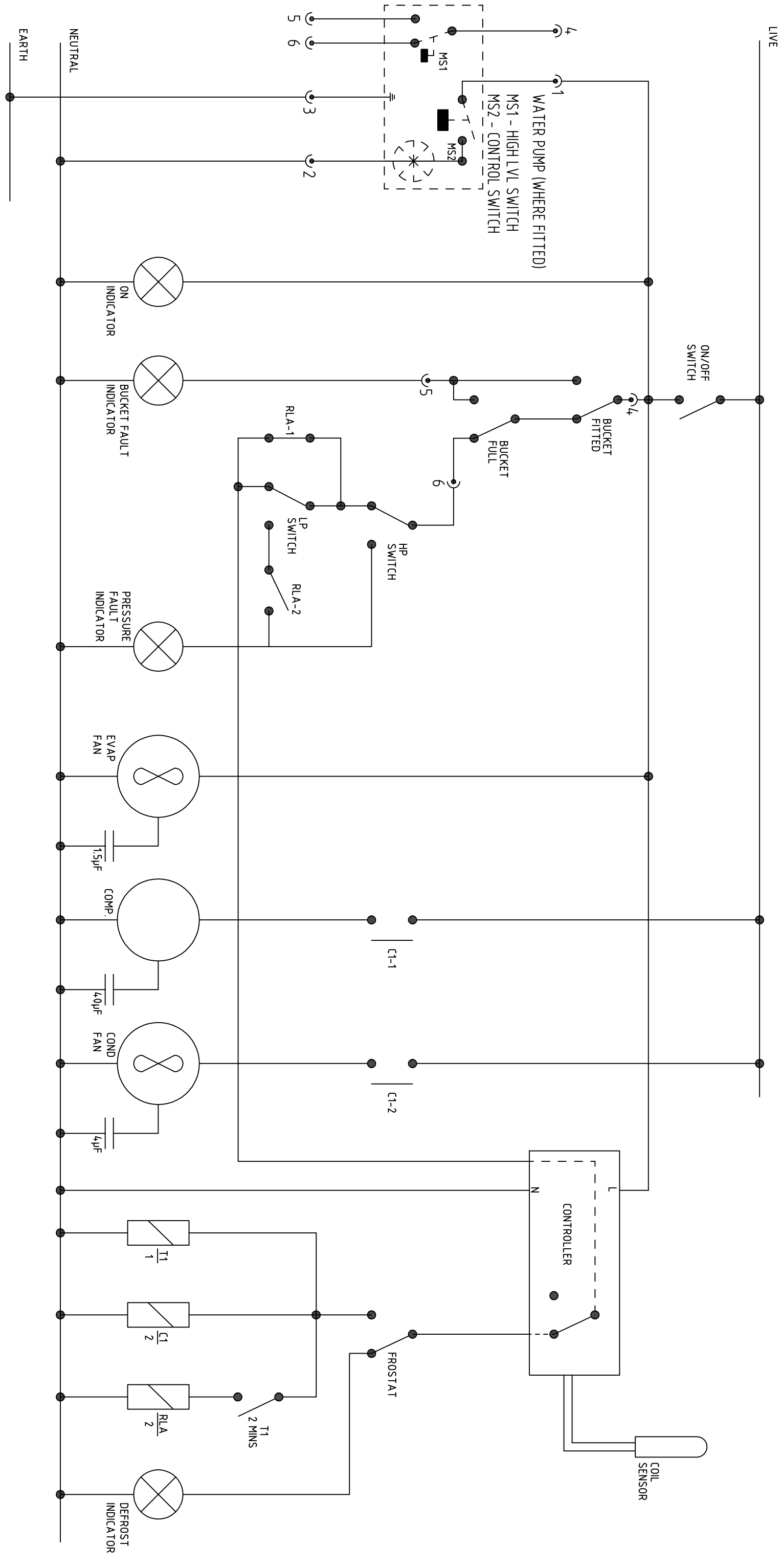


ISSUE	DATE	AMENDMENTS
1	08/05/18	ORIGINAL



**TITLE**  
Bkool16 - US - SCHEMATIC

**3RD ANGLE PROJECTION**  
DO NOT SCALE  
IF IN DOUBT ASK

**DIMENSIONS IN m.m.**  
TOLERANCES UNLESS OTHERWISE STATED

0.0	+ 1
0.00	± 0.25
0.05	± 0.05
ANGULAR ±	0.5 DEGREE

**MATERIAL**  
-----  
**FINISH**  
-----

**DRAWN : W DAGLISH**  
**CAD SCALE : N/A**

**DRG.NO. 5020429**

**SHEET 1 OF 1**