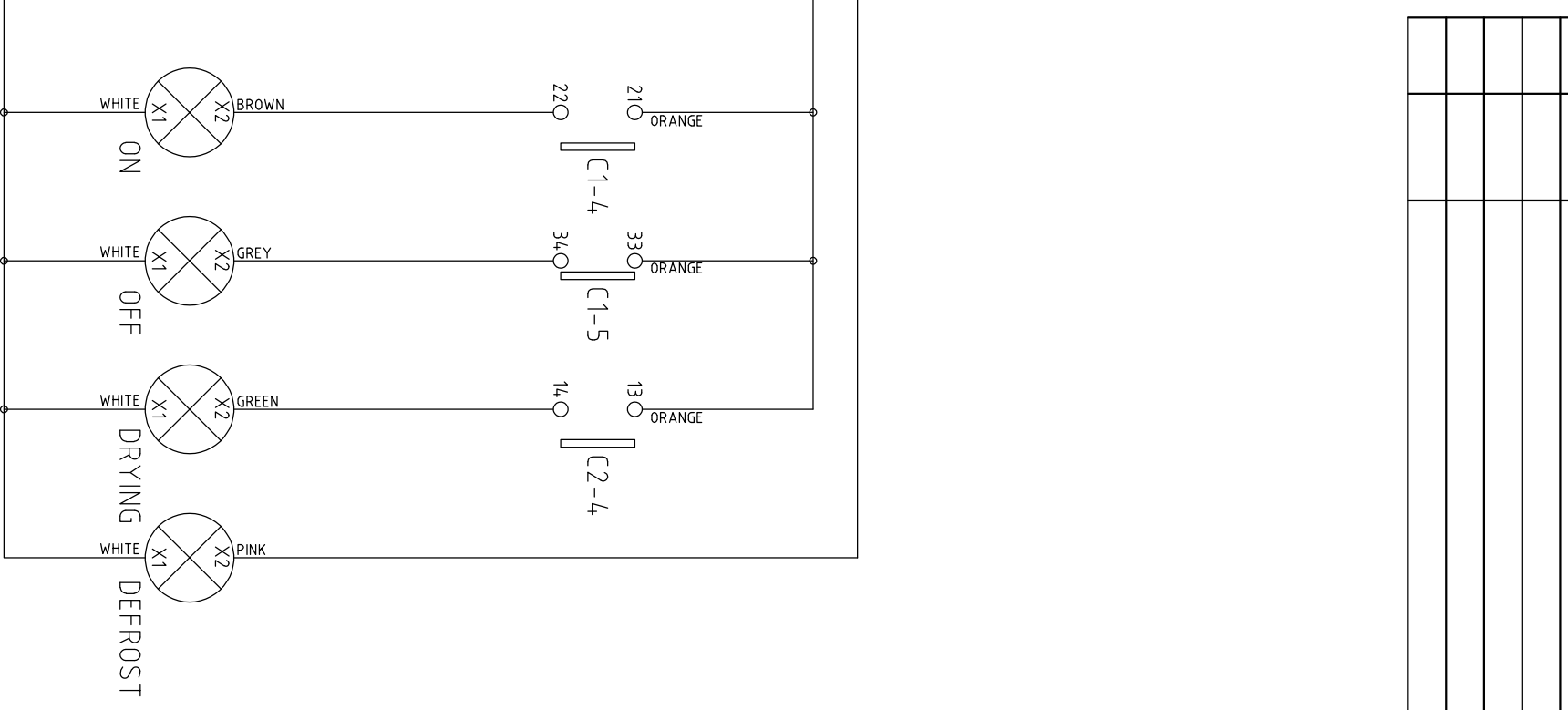
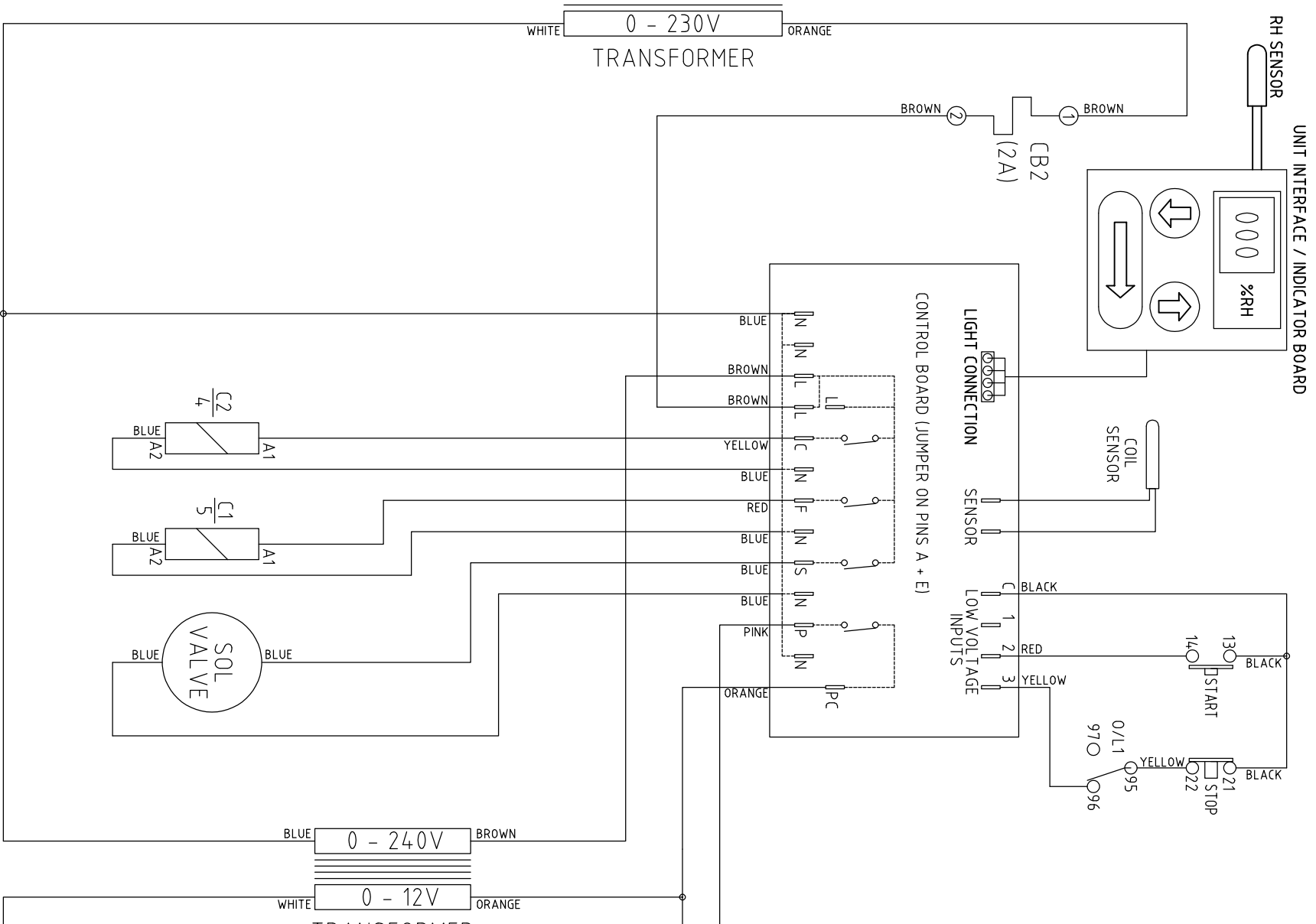
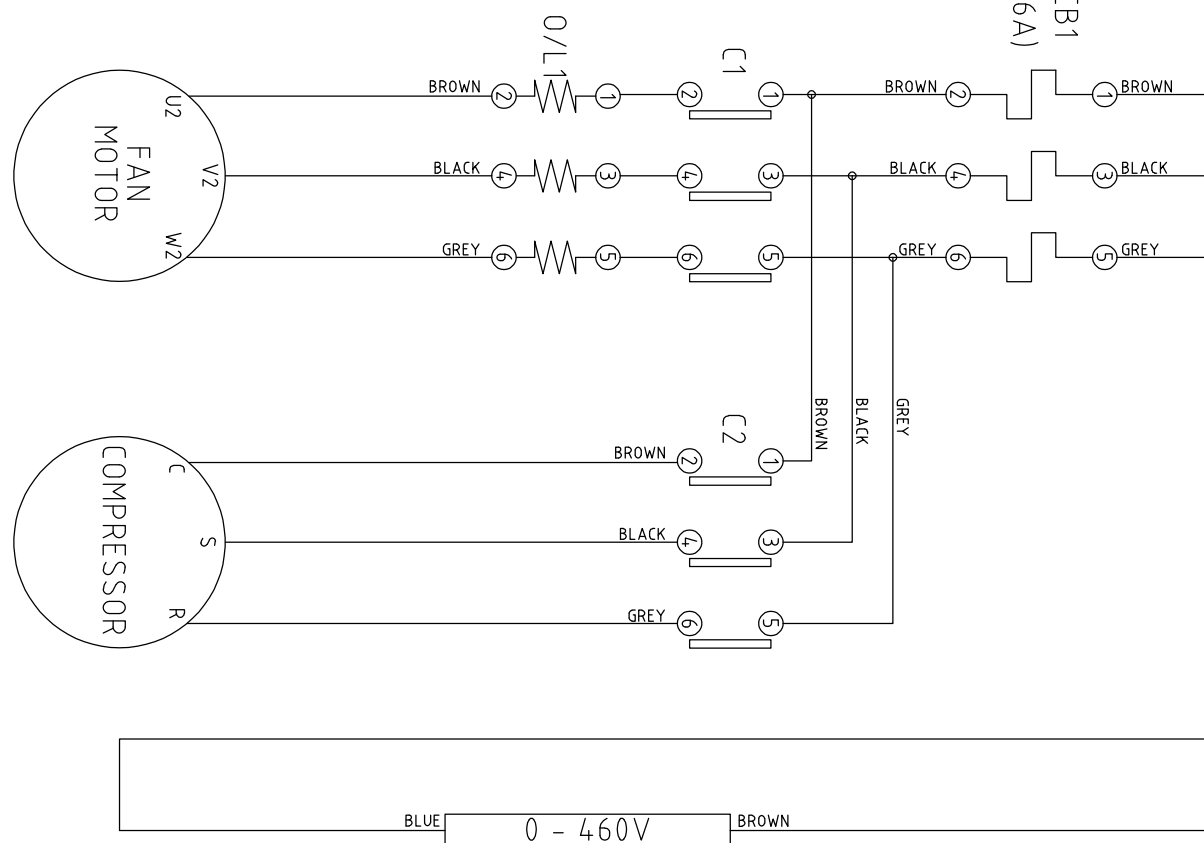



460V L1  
3PH L2  
60Hz L3



ISSUE	DATE	AMENDMENTS
1	02/02/22	ORIGINAL



1993  
LIMITED  
BISHOP AUCKLAND  
ENGLAND

**TITLE**  
CD425 - 460V / 3Ph / 60Hz

**MATERIAL**  
N/A

**FINISH**  
N/A

**DRAWN:** W DAGLISH

**CAD SCALE:** N/A

**DRG.NO.** 5020537

**SHEET** 1 OF 1

**3RD ANGLE PROJECTION**

DO NOT SCALE  
IF IN DOUBT ASK

**DIMENSIONS IN m.m.**  
TOLERANCES UNLESS  
OTHERWISE STATED

0 ± 1  
0.0 ± 0.25  
0.00 ± 0.05  
ANGULAR ± 0.5 DEGREE